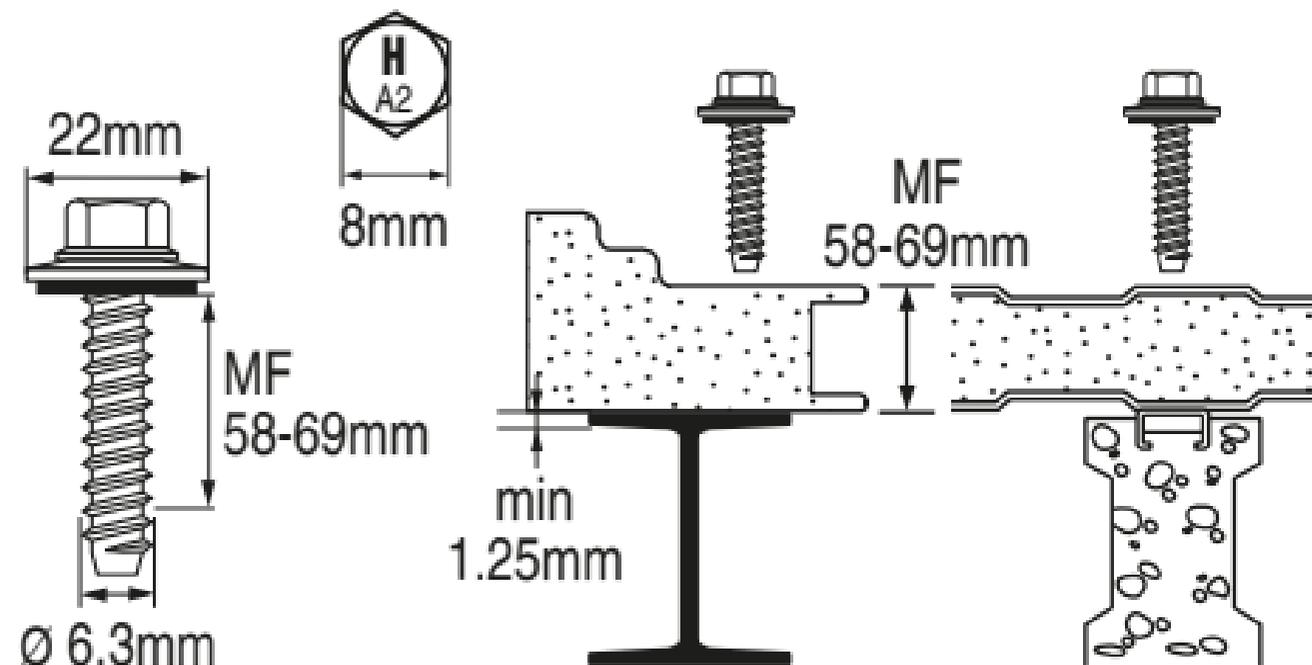
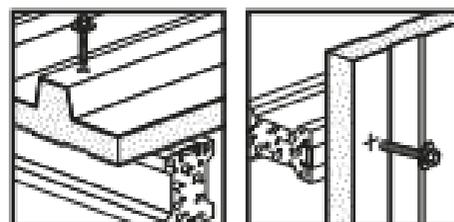
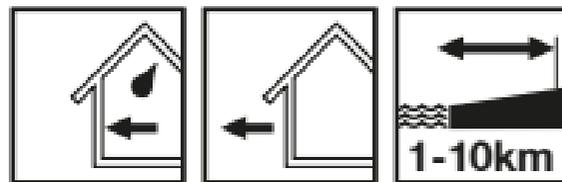


S-MP 72 S 6,3x82

2125177



Rostfrei / Inox / Stainless A2



Pre-drill diameter for t_{II}

t_{II} /mm (Steel)	1.25-1.9	2.0-5.9	6.0-6.9	≥ 7.0
Pre-drill-Ø	4.5mm	5.3mm	5.5mm	5.7mm

2127302

